

# Absolute encoders - modular bus covers

Through hollow shaft up to  $\varnothing 25.4$  mm

Optical multiturn encoders 13 bit ST / 16 bit MT

CANopen® / DeviceNet / Profibus

## G1MMH



G1MMH with modular bus cover

### Technical data - electrical ratings

Voltage supply	10...30 VDC
Reverse polarity protection	Yes
Consumption w/o load	$\leq 100$ mA (24 VDC)
Initializing time typ.	250 ms after power on
Interfaces	CANopen®, DeviceNet, Profibus-DPV0
Function	Multiturn
Device adress	Rotary switches in bus cover
Steps per revolution	$\leq 8192$ / 13 bit
Number of revolutions	$\leq 65536$ / 16 bit
Absolute accuracy	$\pm 0.025^\circ$
Sensing method	Optical
Code	Binary
Code sequence	CW/CCW programmable
Interference immunity	DIN EN 61000-6-2
Emitted interference	DIN EN 61000-6-4
Programmable parameters	Steps per revolution Number of revolutions Preset Scaling Rotating direction
Diagnostic functions	Position or parameter error Multiturn sensing
Status indicator	DUO-LED integrated in bus cover
Approval	UL approval / E63076

### Features

- Encoder multiturn / bus cover
- Optical sensing method
- Resolution: singleturn 13 bit, multiturn 16 bit
- Through hollow shaft of 1"
- High flexibility in mounting and maintenance
- Resolution, baud rate, node ID optionally selectable
- Code continuity check optional by bus

### Optional

- Modular bus covers for SSI interface

### Technical data - mechanical design

Size (flange)	$\varnothing 90$ mm
Shaft type	$\varnothing 16...25.4$ mm (through hollow shaft)
Protection DIN EN 60529	IP 54, IP 65 (optional)
Operating speed	$\leq 3800$ rpm (mechanical) $\leq 6000$ rpm (electric)
Starting torque	$\leq 0.35$ Nm (+25 °C)
Rotor moment of inertia	2000 gcm <sup>2</sup>
Materials	Housing: aluminium Flange: aluminium Bus cover: aluminium
Operating temperature	-25...+85 °C -40...+85 °C (optional)
Relative humidity	95 % non-condensing
Resistance	DIN EN 60068-2-6 Vibration 10 g, 16-2000 Hz DIN EN 60068-2-27 Shock 200 g, 6 ms
Weight approx.	890 g
Connection	Bus cover

# Absolute encoders - modular bus covers

Through hollow shaft up to  $\varnothing 25.4$  mm

Optical multiturn encoders 13 bit ST / 16 bit MT

CANopen® / DeviceNet / Profibus

**G1MMH**

## Part number

G1MMH. 

	20	
--	----	--

		<u>Interface</u>
	3P32	Profibus-DPV0 / cable gland
	5P32	CANopen® / cable gland
	8P22	DeviceNet / cable gland
		<u>Through hollow shaft</u>
2	$\varnothing 25.4$ mm, pin 15 mm	
3	$\varnothing 20$ mm, pin 15 mm	
4	$\varnothing 16$ mm, pin 15 mm	
5	$\varnothing 25$ mm, pin 15 mm	

CD with file descriptions is not included in the delivery.  
You may order them on CD as accessory under part number  
Z 150.022.

## Accessories

### Mounting accessories

11034095	Rubber buffer element 18.5 mm long, as torque support (Z 119.037)
11034096	Set of adjusting angles as torque support (Z 119.039)
11034097	Shoulder screw M5 as torque support (Z 119.040)
10139345	Torque support by rubber buffer for encoders with 15 mm pin (Z 119.041)
10143969	Spring coupling for GX and G1 (Z 119.043)
10147837	Spring coupling for one-side attachment, length 35 mm (Z 119.050)
11210157	Clamping ring set 28.4/50x12 - stainless steel (Z 119.102)

### Programming accessories

10146710	CD with describing files & manuals (Z 150.022)
----------	--

# Absolute encoders - modular bus covers

Through hollow shaft up to  $\varnothing 25.4$  mm

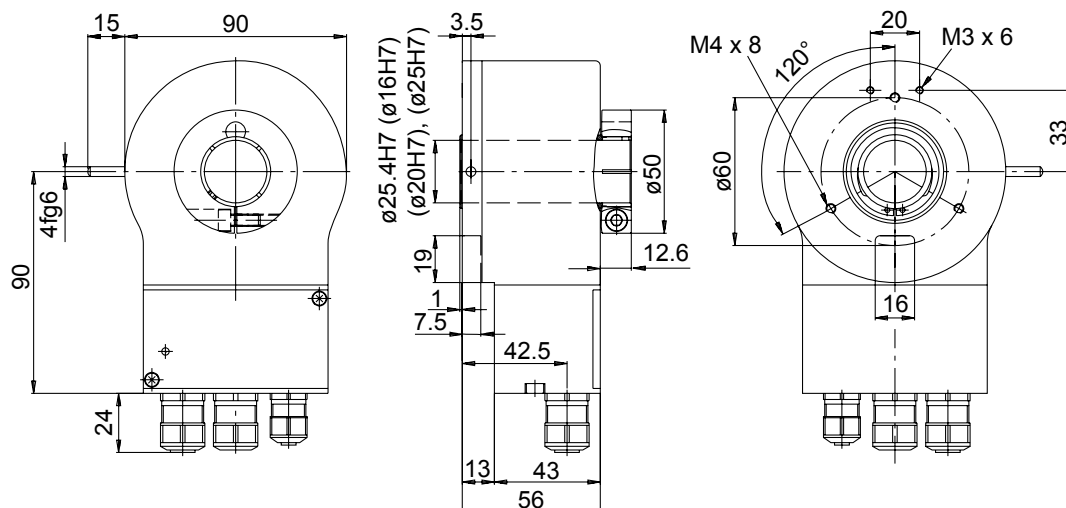
Optical multiturn encoders 13 bit ST / 16 bit MT

CANopen® / DeviceNet / Profibus

## G1MMH

### Dimensions

#### G1MMH - CANopen®, Profibus



#### Bus cover DeviceNet

